

## HD 10/16-4 CAGE EX (ATEX)

Special class cold-water pressure washer designed specifically for use in potentially explosive environments.



Made in Germany



Order no.

1.353-904.0

- Explosion protection Ex II 2 G Ex h IIB T3 Gb

### Technical data

EAN code		4054278157887
Number of current phases	Ph	3
Voltage	V	400
Frequency	Hz	50
Flow Rate	l/h	1000
Water feed temperature	°C	50
Operating pressure	bar / MPa	160 / 16
Max. Pressure	bar / MPa	220 / 22
Power rating	kW	5.5
Colour		anthracite
Weight (with accessories)	kg	122.6
Weight incl. packaging	kg	131.2
Dimensions (L × W × H)	mm	980 × 720 × 1100

This machine requires instruction.

### Scope of supply

Spray gun: EASY!Force Ex protection  
 High-pressure hose length: 10 m  
 High-pressure hose specification: DN 8,400 bar  
 Stainless steel spray lance: 1050 mm  
 Stainless steel spray lance, conductive: 1050 mm  
 Power nozzle  
 High-pressure spray lance

### Equipment

Pressure cut-off  
 Atex Zone



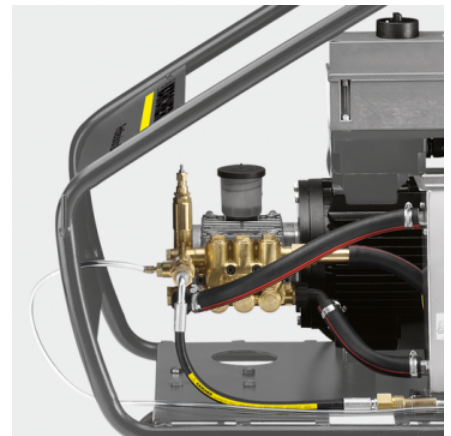
### Powder-coated cage frame, conductive

- Robust tubular steel frame.
- Integrated crane attachment point.
- Protects the unit from damage.



### Explosion-proof design

- Conductive rubber tyres.
- Surface temperature always under 200 °C.

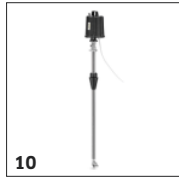
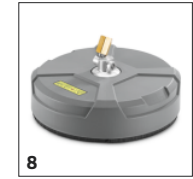
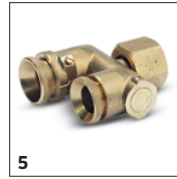


### Powerful and durable

- 4-pole, low-speed air-cooled electric motor.
- Robust brass cylinder head and ceramic pistons.
- Reliable and durable Kärcher high-performance crankshaft pump ensures optimal pressure.

## EQUIPMENT FOR HD 10/16-4 CAGE EX (ATEX)

### 1.353-904.0



	Order no.	Description	
<b>TRIGGER GUNS</b>			
<b>Trigger guns</b>			
EASY!Force Ex	1 4.118-020.0	The new EASY!Force high-pressure gun does not fail to impress - even when used in explosion proof hazardous areas.	■
<b>SPRAY LANCES</b>			
<b>Rotating spray lances</b>			
Jet pipe explosion protected only for re, 1050 mm, rotatable	2 4.112-034.0	1050 mm stainless steel lance (manual coupling) with ergonomic handle for ease of use and protection. Rotatable 360° under pressure.	■
<b>KÄRCHER POWER NOZZLE</b>			
<b>HP nozzle spray angle 0°</b>			
Power nozzle 0°, 060	3 2.113-036.0	Solid jet for very stubborn dirt and stains.	■
<b>Power nozzle spray angle 25°</b>			
Power Nozzle , 060	4 2.113-026.0	Fan jet nozzle for large-area coverage and stubborn dirt and stains.	■
<b>STEAM NOZZLE / NOZZLE PROTECTOR / ROLLOVER NOZZLE</b>			
<b>Rollover nozzle holder</b>			
Ball Nozzle Holder	5 4.764-012.0	Rollover nozzle holder for contactless changeover from pencil jet to fan jet as well as low-pressure detergent injection via knurled nut. Without nozzle insert. (Additional type-specific power nozzle).	■
<b>HIGH-PRESSURE HOSES</b>			
<b>Special hoses</b>			
High-pressure hose Ex, 10 m, ID 8, 400 bar, 2 x EASY!Lock	6 6.110-064.0	Electrically conductive, 10 m long high-pressure hose for use in hazardous areas. 10 m long high-pressure hose with EASY!Lock hand screw connections at both ends.	■
<b>STROMGENERATOR</b>			
PGG 8/3	7 1.042-209.0		□
<b>FLOOR AND HARD SURFACE CLEANER</b>			
<b>Hard surface cleaner FR Classic</b>			
FR TR 30 Classic	8 4.119-030.0	Coarse spray agent made from aluminium slag designed for use with Kärcher blasting systems and guns. The single-use mineral spray agent is not water-soluble and has a granulation of 0.25 to 1.4 mm. It boasts an impressive performance when blasting clean aerated and exposed aggregated concrete, Porphyry, granite, steel and clinker. In addition, the material is well suited to removing paint, varnishes and rust and to matting, rough blasting and sand blasting thanks to its edged shape, high level of hardness (6-7 Mohs) and very abrasive effect.	□
<b>SEALS FOR TRAPEZOIDAL THREAD</b>			
Spare part set seals TR	9 2.880-001.0		□
<b>DRUM AND TANK CLEANING</b>			
<b>Barrel and tank cleaning</b>			
Rotary cleaner head M63E	10 6.751-061.0	Compact interior cleaning head made of stainless steel for cleaning the interiors of drums and containers with openings of 65 mm or more. Offers an impressively low weight and constant rotation speed by means of an electric motor.	□

■ Included in delivery. □ Available accessories.